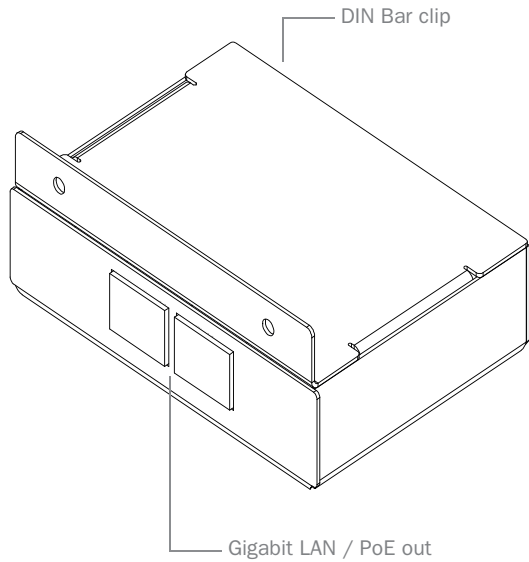


Passive Surge Protector Passthrough

Gigabit High Power Surge Protection



SPP surge protector
2 stages tvs-gdt
15 kA peak surge current



Electrical Specifications

Max Voltage	60 Volts AC/DC
Max Current	1.5 A
Operating protection	Bidirectional
Ethernet Connectors	Shielded RJ45 Jacks
Spark Over Voltage	90 Volts
Peak Surge Current	20kA @ 8/20us
Peak Impulse Current	2kA @ 10/350us
Minimum Response Time	1.0 ns DC, 5.0 ns AC
Modes of Protection	All Lines (1-8) Protected (L-L) and (L-G)
Transmission Speeds	10BaseT; 100BaseT; 1000BaseT
SPD Technology	2 stages: TVS, GDT

Mechanical Specifications

Dimensions (LxWxD)	482.6 x 4.5 (1U) x 300 mm
Weight	4 Kg
Enclosure Material	Varnished Iron
Output Power Connector	2 connector Micro-Fit (3.0)
Reset Button	4



Power Protection
for PoE

TERMS OF USE: This device must be professionally installed. Shielded ethernet cable and earth grounding must be used as conditions of product warranty. All specifications in this document are subject to change without notice.

For further information please visit www.9dot.it.